

ARTEC IMAGING

ARTEC IMAGING

EquusCT<sup>SM</sup>



Ingenuity in patient positioning and scanning  
A breakthrough in automatic tracking

**Artec Imaging, LLC**  
19706 One Norman Blvd.  
Suite B-312  
Cornelius, NC 28031

[www.artecimaging.com](http://www.artecimaging.com)

Patent pending:  
03/08

The EquusCT is an equine CT scanning table with floating carousel that offers superior maneuverability for veterinarians practicing equine health care. The EquusCT provides for accurate positioning of a horse in synchronization with the patient couch. A variable height option is available in custom tables as well as other custom modifications making the EquusCT a truly unique product.



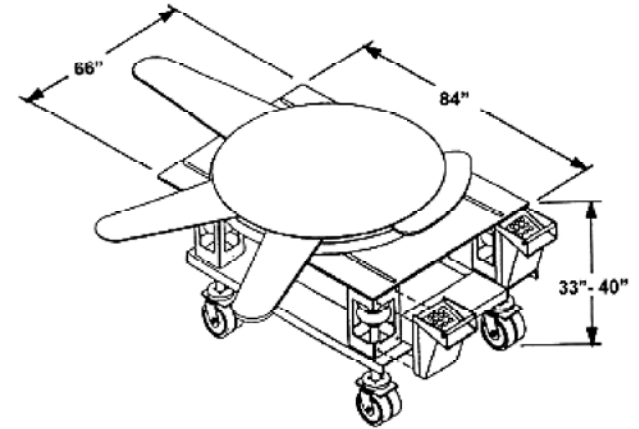
## Mobility

The EquusCT allows a horse or other large animal to be infinitely positioned for CT exams. It can help you get the most out of your CT/PET scanner and leverage the scanner's capabilities in new areas. The table moves manually and is capable of supporting a 2,100 lb (953 kg) horse. The floating carousel provides the ability to finely position the patient with the CT gantry for scanning. The carousel floats in both a linear and circular motion. The carriage has a linear motion range of 36" (915 cm) for scanning.



## Functionality

The EquusCT is positioned directly over the CT couch for scanning head and neck or limbs without any electrical or mechanical interfacing. The EquusCT automatically tracks with the CT couch, moving the selected anatomy into the gantry for topograms and scanning.



## Compatibility

The EquusCT can be customized to suit any fixed or variable height CT/PET scanner. The head, rump, leg supports and IV pole support are secured to the carousel and can be placed around the outer perimeter for optimum positioning of the patient.

*Specifications are subject to change without notice.*

**To learn more about the EquusCT, email us at [art@artecimaging.com](mailto:art@artecimaging.com), visit our web site at [www.artecimaging.com](http://www.artecimaging.com) or call 704.562.0970.**

